



Bobcat®

COMPACT EXCAVATORS

E62

Operating Weight	6130 kg
Engine Power	36.2 kw
Bucket Capacity	0.175m ³



Bobcat E62

Scan the code to watch E62 video

One Tough Animal®

E62 — SPECIFICATIONS

Weights

Operating weight (ISO 6016)	6130 kg
Ground pressure with rubber tracks	35.3 kPa

Engine

Make / model	Yanmar / 4TNV94L-ZXSDB (iT4)
Fuel	Diesel
Number of cylinders	4
Displacement	3.0 L
Maximum power (SAE J1995)	36.2 kW (48.5 HP)
Maximum torque (SAE J1995)	207.0 Nm

Performance

Digging force, arm (ISO 6015)	29,300 N
Digging force, long arm (ISO 6015)	26,200 N
Digging force, bucket (ISO 6015)	44,100 N
Drawbar pull	55,000 N
Travel speed (low)	2.6 km/h
Travel speed (high)	4.7 km/h

Hydraulic System

Pump type	One engine-driven tandem axial piston pump
Pump capacity	132.0 L/min
Auxiliary flow	85.0 L/min
Auxiliary relief	210.0 bar

Swing System

Boom swing (left)	70.0°
Boom swing (right)	50.0°
Swing speed	9.4 RPM

Fluid Capacities

Cooling system	10.0 L
Engine oil and filter	10.2 L
Fuel tank	78.0 L
Hydraulic system	65.0 L

Standard Features

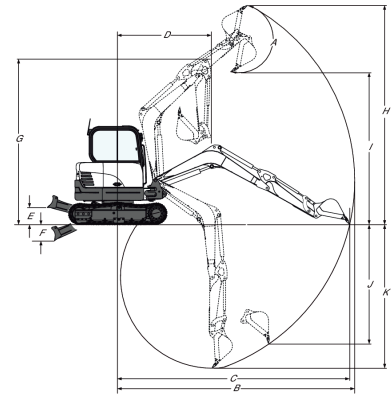
TOPS/ROPS with air conditioner ¹	Horn
1980 mm dozer blade	Work lights
400 mm rubber track	Retractable seat belt
5.7 inch LCD screen	Deluxe cloth suspension seat with high back
Fingertip auxiliary hydraulic control	Sun visor
Control console locks	Electric refueling pump
Hydraulic joystick controls	Auto idle
Lockable storage compartment	Auto shift travel

1. Roll Over Protective Structure (ROPS) – Meets requirements of ISO 3471. Tip Over Protective Structure (TOPS) – Meets requirements of ISO 12117.

Options

Steel tracks	Long arm
Auxiliary hydraulics (1st and 2nd circuits)	Boom and arm load holding valve
Third auxiliary hydraulic line (Clamshell piping)	

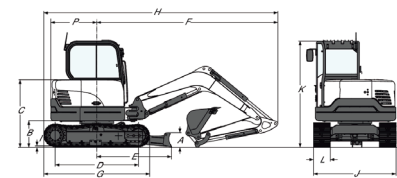
Working Range



(A)	179.0°	(G)	4381.0 mm
(B)	6230.0 mm	(H)	5785.0 mm
(B*)	6525.0 mm	(H*)	6005.0 mm
(C)	6100.0 mm	(I)	4045.0 mm
(C*)	6400.0 mm	(I*)	4260.0 mm
(D)	2530.0 mm	(J)	3125.0 mm
(D*)	2645.0 mm	(J*)	3435.0 mm
(E)	410.0 mm	(K)	3815.0 mm
(F)	440.0 mm	(K*)	4115.0 mm

* Long arm

Dimensions



(A)	410.0 mm	(G)	2500.0 mm
(B)	635.0 mm	(H)	5670.0 mm
(C)	1620.0 mm	(I)	21.0 mm
(D)	1990.0 mm	(J)	1980.0 mm
(E)	1870.0 mm	(K)	2550.0 mm
(F)	4400.0 mm	(L)	400.0 mm



Bobcat is a Doosan Company.

Doosan is a global leader in construction equipment, power & water solutions, engines, and engineering proudly serving customers and communities for more than a century. | Bobcat and the Bobcat logo are registered trademarks of Bobcat Company in the United States and various other countries.
©2020 Bobcat Company. All Rights Reserved.



Bobcat®

www.bobcat.com 